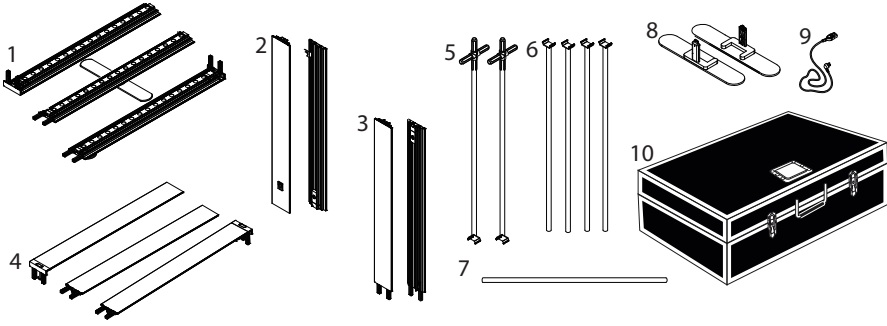


# 8'x10' Premier SEG Glo Display



## Product Parts

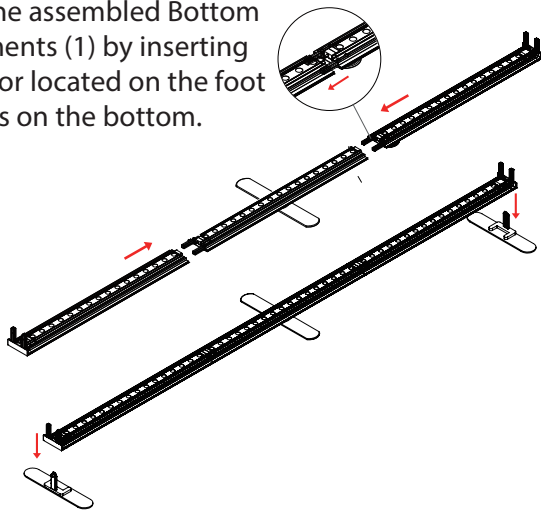
1. Bottom Frame Segment (x3)
2. Bottom Side Segment /w Lock (x2)
3. Top Side Segments /w Lock (x2)
4. Top Frame Segments (x3)
5. Bottom Support Poles (x2)
6. Support Poles (x4)
7. Horizontal Support Pole
8. Frame Feet
9. Power Cord
10. Hard Case



## Display Assembly

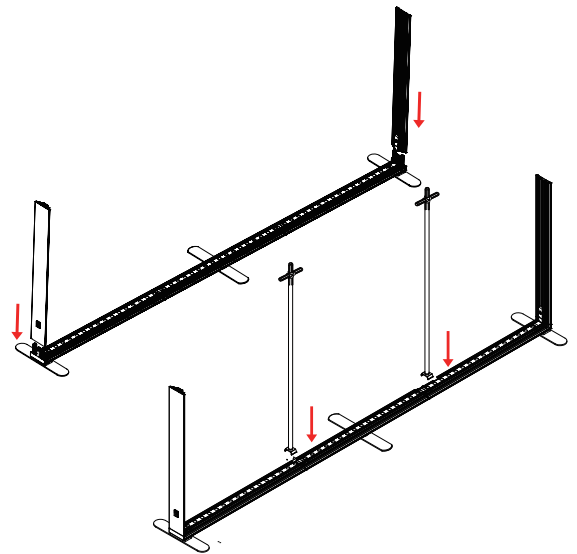
### Step 1

Assemble Frame Segments (1) by matching the shapes located on each piece,  to  etc. Attach Frame Feet (8) to the assembled Bottom Frame Segments (1) by inserting the connector located on the foot into the slots on the bottom.



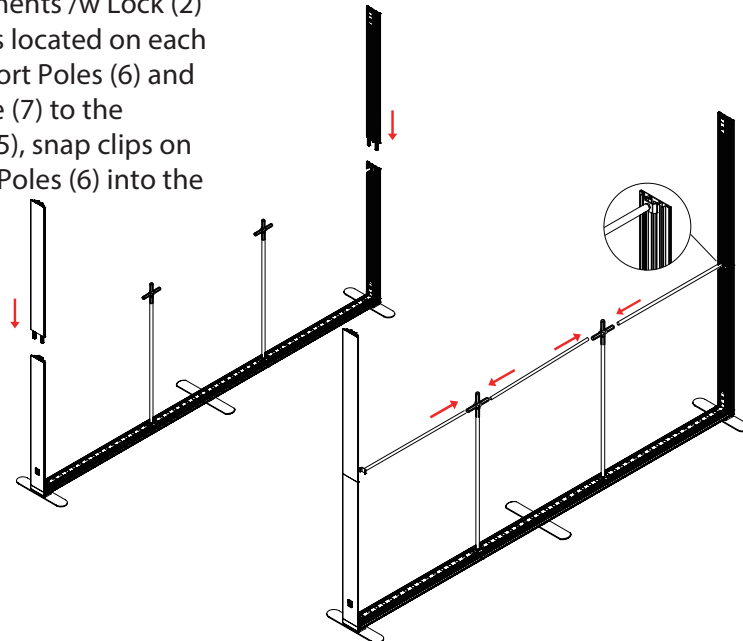
### Step 2

Attach the Bottom Side Segments /w Lock (2) to connected Bottom Frame Segments (1) by matching the shapes located on each piece, and clicking into place. Attach Bottom Support Poles (5) to the bottom of the frame by snapping the clips on the Bottom Support Poles into the channel on the frame.



### Step 3

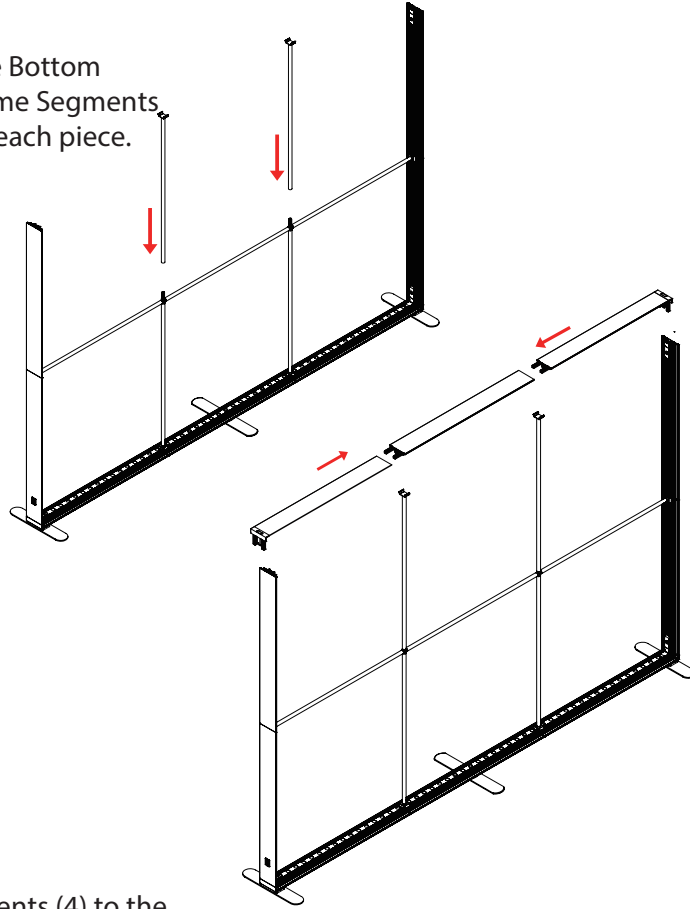
Attach the Top Side Segments /w Lock (3) to Bottom Side Segments /w Lock (2) by matching the shapes located on each piece. Attach two Support Poles (6) and Horizontal Support Pole (7) to the Bottom Support Poles (5), snap clips on the end of the Support Poles (6) into the channel on the frame.



# 8'x10' Premier SEG Glo Display

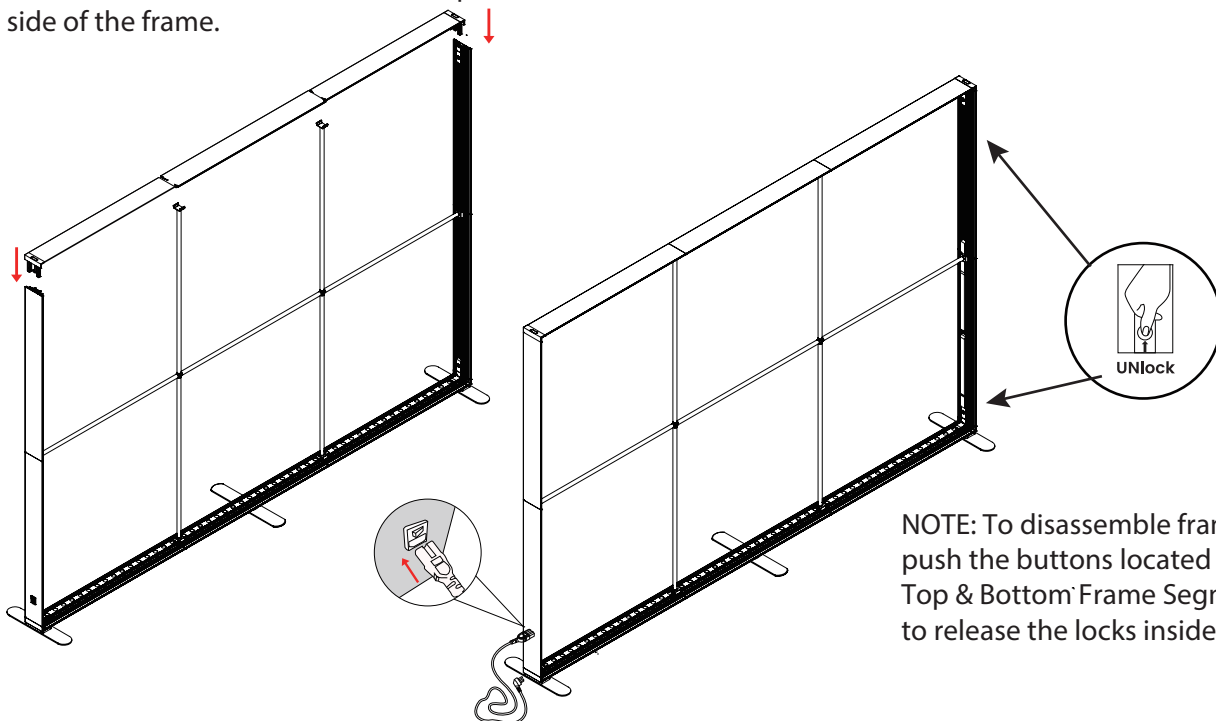
## Step 4

Attach the final Support Poles (6) to the Bottom Support Poles (5). Connect the Top Frame Segments (4) by matching the shapes located on each piece.



## Step 5

Attach the connected Top Frame Segments (4) to the Top Side Segments /w Lock (3) by matching the shapes located on each piece, and clicking into place. Attach Center Support Poles (6) to the top of the frame by snapping the clips on the top of the poles into the channel on the Frame. Insert Power Cord (9) into port located on the side of the frame.



NOTE: To disassemble frame push the buttons located on the inside of the Top & Bottom Frame Segments /w Lock (2&3) to release the locks inside the frame.

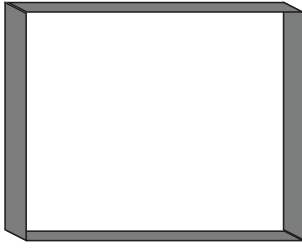
## Storage & Care

Place all frame parts into Hard Case and store in a cool dry location. To clean non-graphic hardware, wipe with a damp cloth.

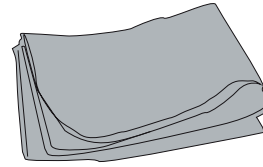
# SEG GRAPHIC INSTALLATION

## Product Parts

1. SEG Frame



2. Graphic(s)

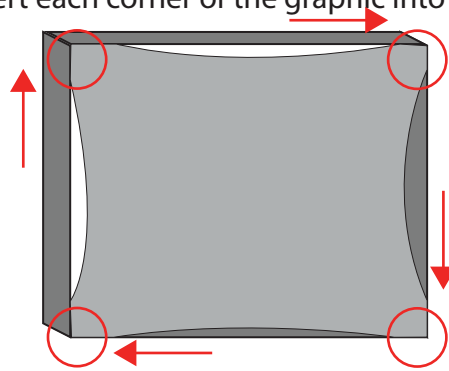


## Graphic Installation Process

### Step 1

Start with the corners.

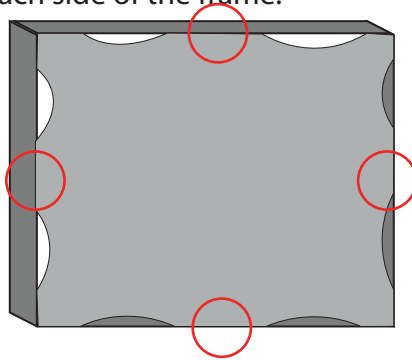
Working in a clockwise motion insert each corner of the graphic into the frame.



### Step 2

Move to the centers.

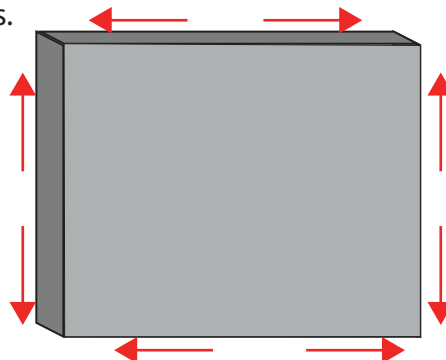
Insert the centers of the graphic on each side of the frame.



### Step 3

Complete installation.

Insert the remaining portions of the graphic into the frame starting from the center points and working your way to the corners.



## Storage & Care

Do NOT dry clean graphic, can Steam Clean wrinkles.